

DROP FORGED CHAIN&CASTED CHAIN



CHANGZHOU AMEC GROUP

Add: No.62 XingGang Rd,Changzhou,Jiangsu,China

Tel: +86-519-83978002 83900202

Fax: +86-519-83978999 86600406

E-mail: sales@amecco.com

Http: //www.amecco.com

CHANGZHOU AMEC GROUP

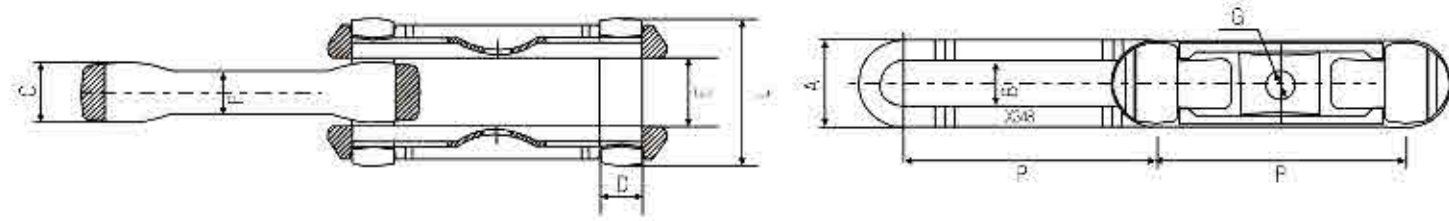


Brief Introduction

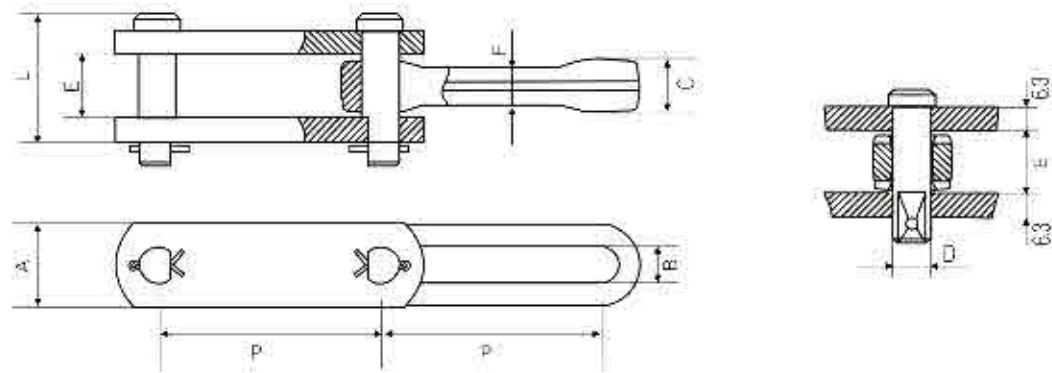
CHANGZHOU AMEC GROUP CO.,LTD(AMEC) is a group company who focuses on group members' assets management, production coordination, market network, strategic investment, etc. AMEC owns seven independent incorporated entity enterprises, most of which are manufacturers. AMEC designs, develops, manufactures and markets a variety of high quality, cost effective engines, portable generators, tractors, mechanical power transmission parts, electric motors, OEM items and auto fittings, etc.



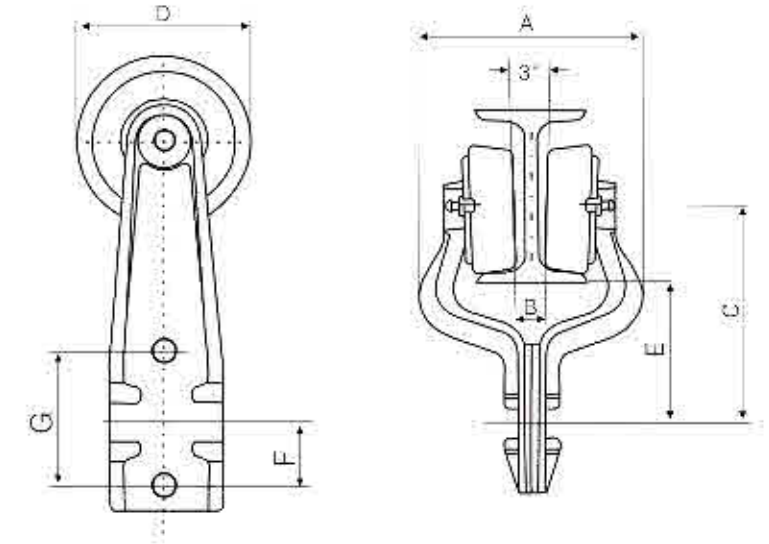
X348



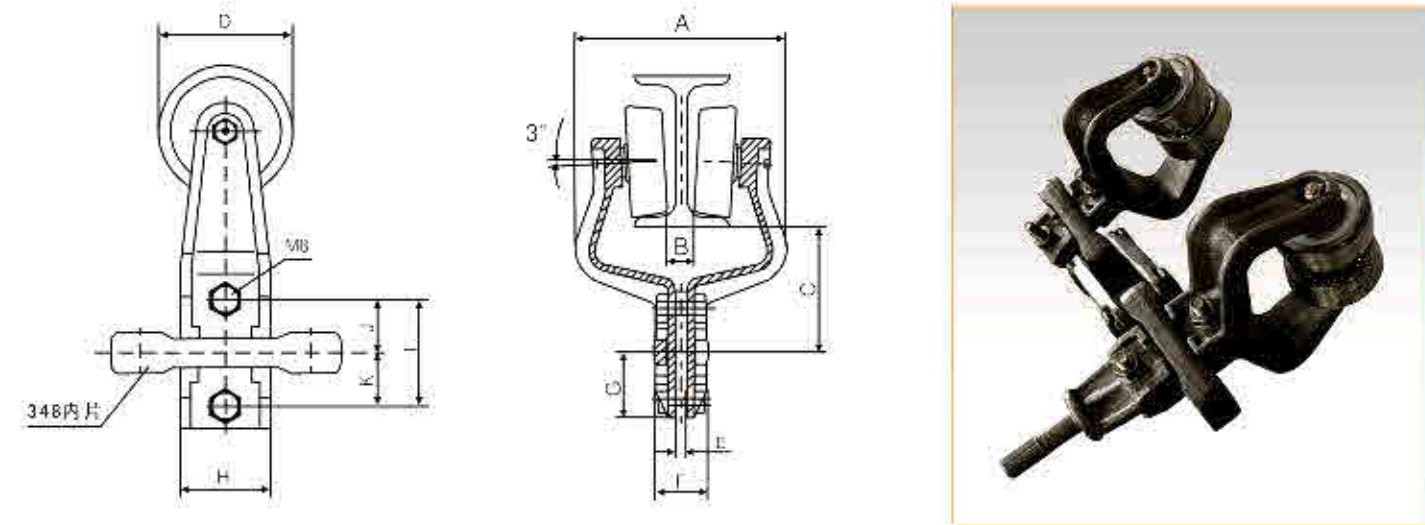
S348



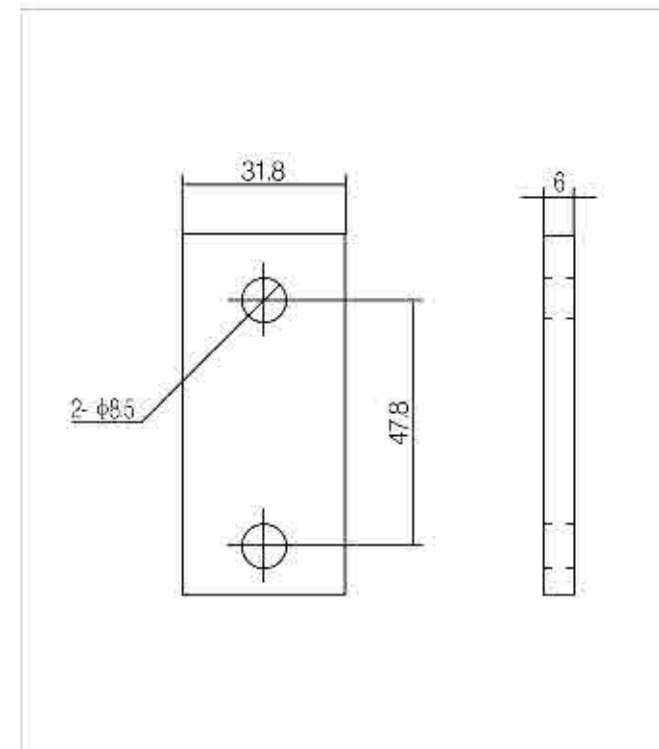
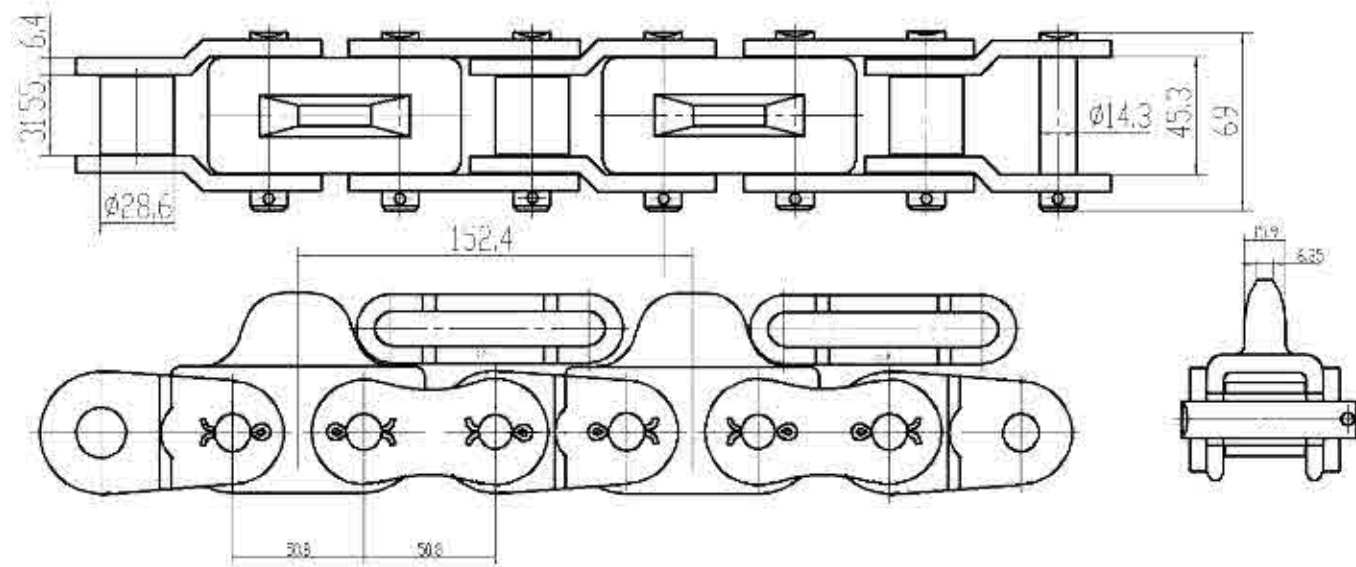
链号 Chain Number	节距 Pitch P mm	销轴直径 Pin dia. D mm	销轴长度 Pin Length L mm	链件参数 Chain Shaft Dimensions						抗拉强度 Ultimate tensile strength Q KN
				A mm	B mm	C mm	E mm	F mm	G mm	
X348	76.2	12.7	46	27	13.5	18.5	20.5	13.2	8.5	110KN
S348	76.2	12.7	40.8	27	13.5	18.5	20.5	13.2	-	110KN



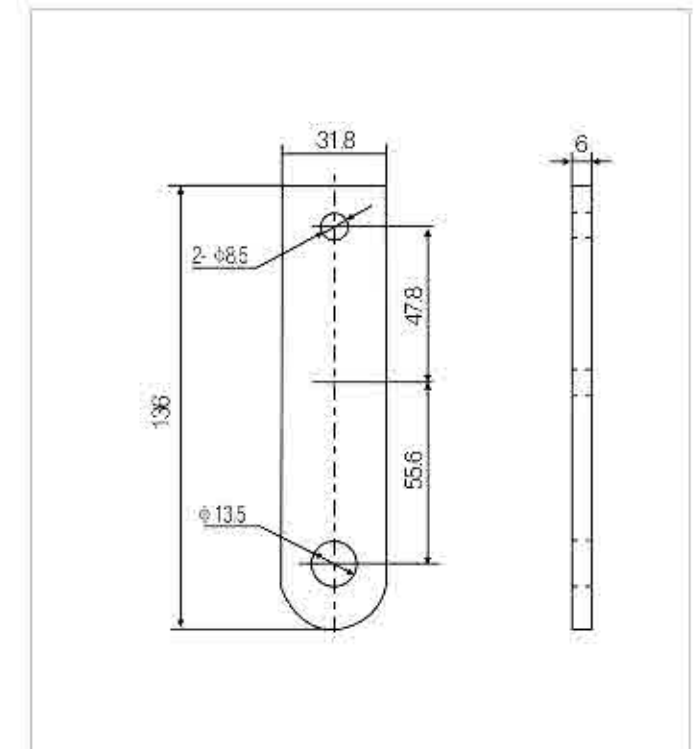
链号 Chain Number	链件参数 Chain Shaft Dimensions						
	A mm	B mm	C mm	D mm	E mm	F mm	G mm
X348 trolley	102	14	100	60	63.5	22.4	47.8



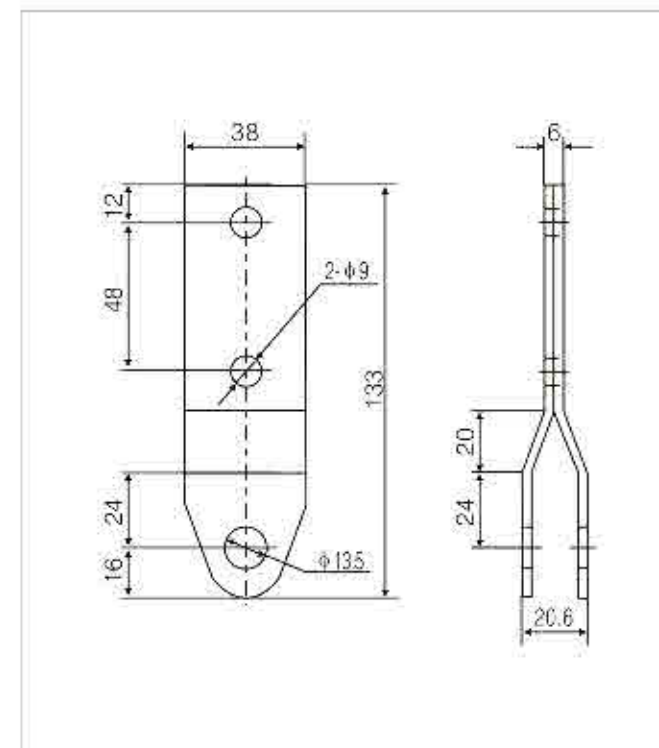
链号 Chain Number	链件参数 Chain Shaft Dimensions										
	A mm	B mm	C mm	D mm	E mm	F mm	G mm	H mm	I mm	J mm	K mm
X348 trolley	122	14	63.5	60	6	28.6	33	40	48	25	22



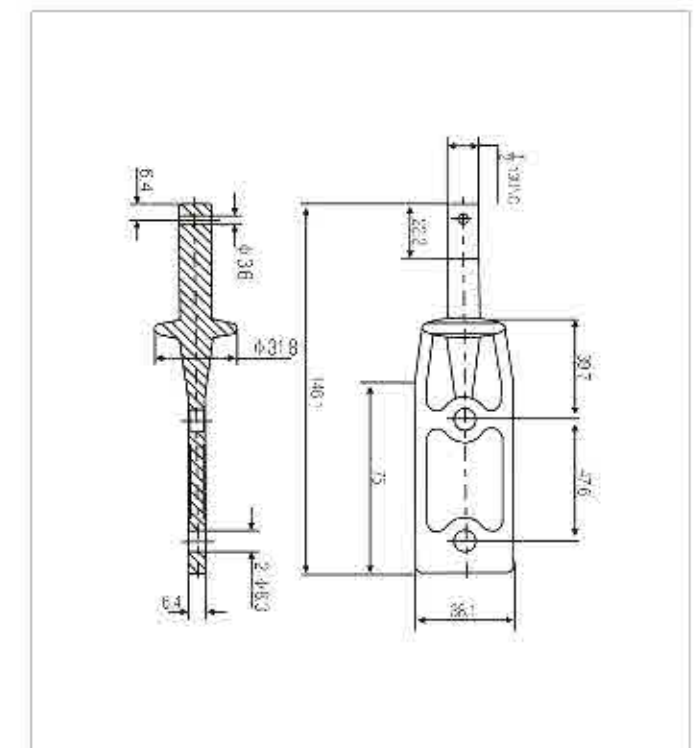
X348 "I" 型



X348 "C" 型



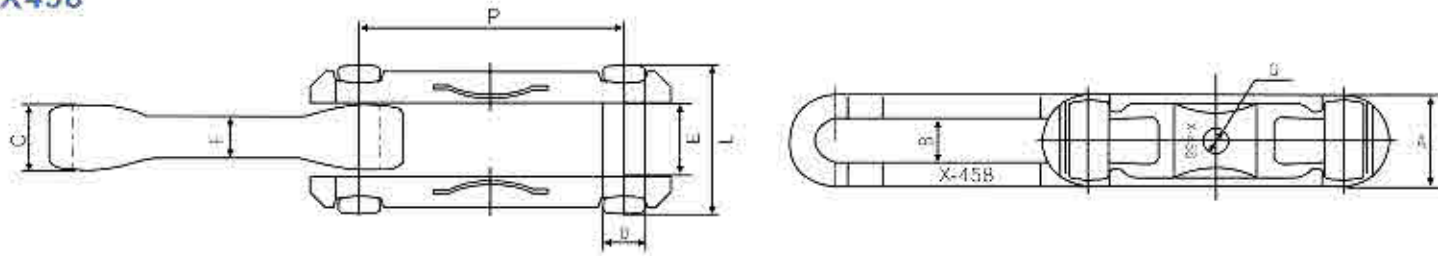
X348 "H" 型



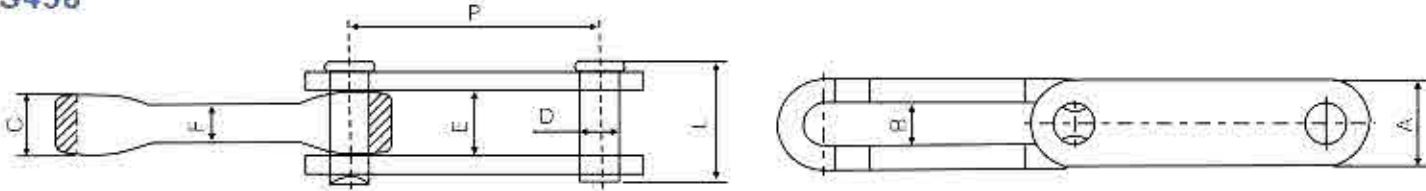
X348 "B" 型



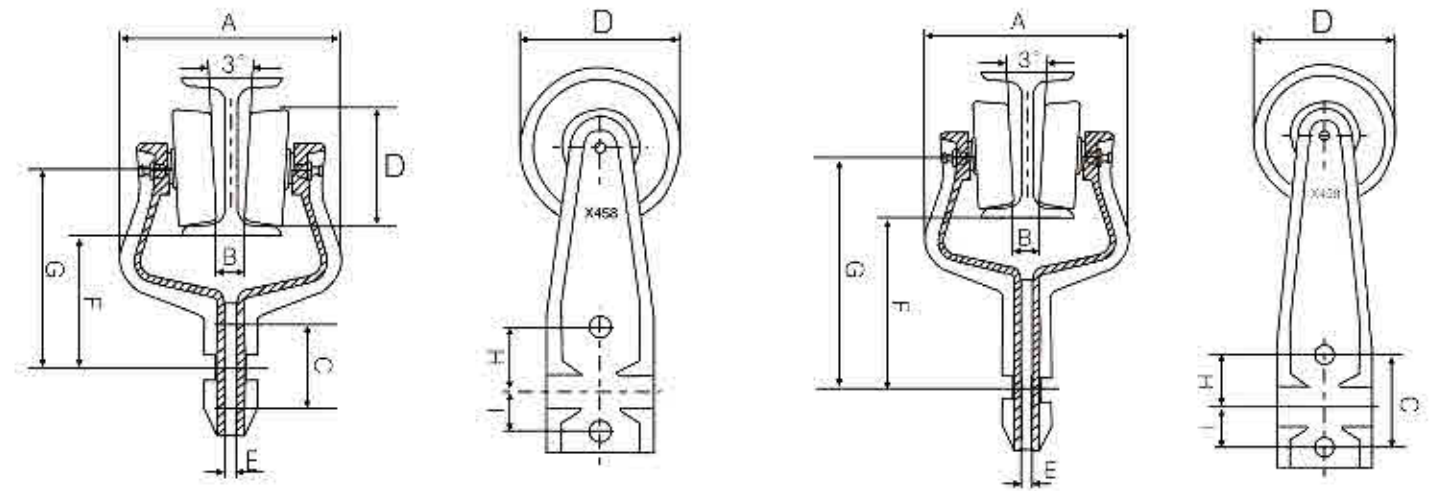
X458



S458

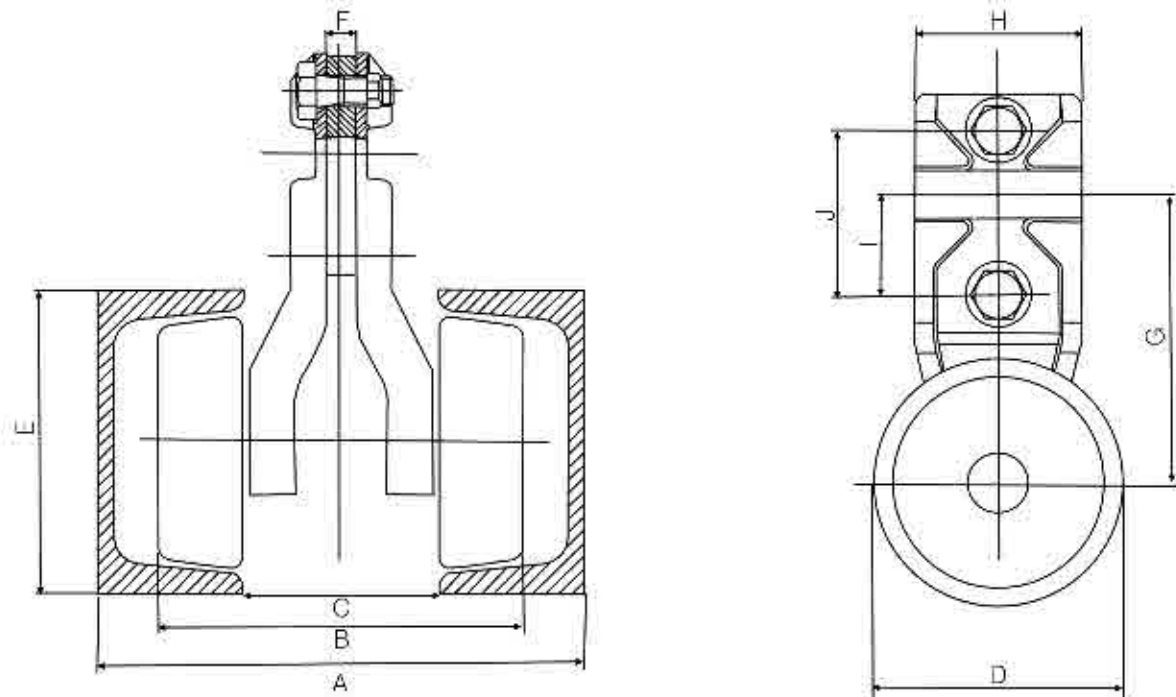


链号 Chain Number	节距 Pitch	销轴直径 Pin dia	销轴长度 Pin Length	锻件参数 Chain Shaft Dimensions						抗拉强度 Ultimate tensile strength
				A	B	C	E	F	G	
X458	102.4	16	57	36	17.5	25.4	27	16	10.5	210KN
S458	102.4	16	52	36	17.5	25.4	27	16	-	210KN



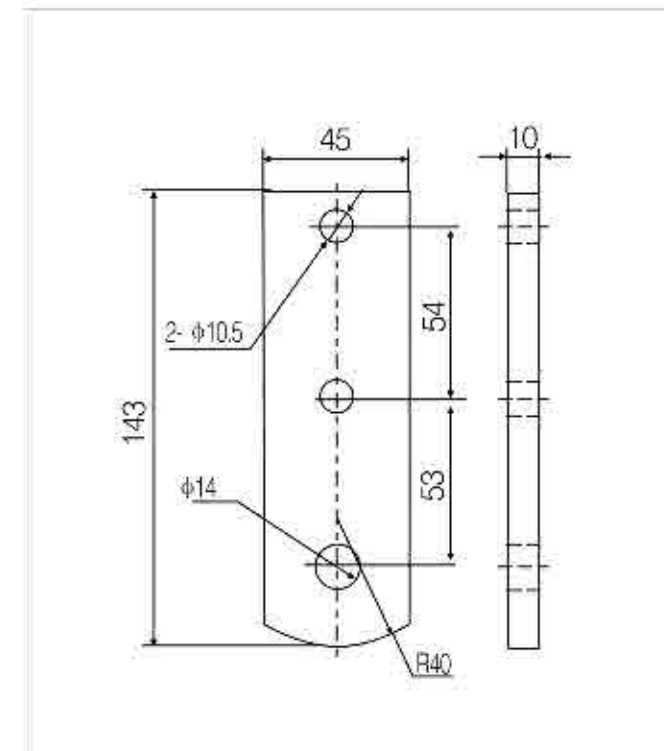
链号 Chain Number	锻件参数 Chain Shaft Dimensions								
	A	B	C	D	E	F	G	H	I
X458 trolley	136	18	54	80	10	81	127	33.5	20.5
4" D8 trolley	136	18	54	80	10	104	150	33.5	20.5

X458 reverse trolley

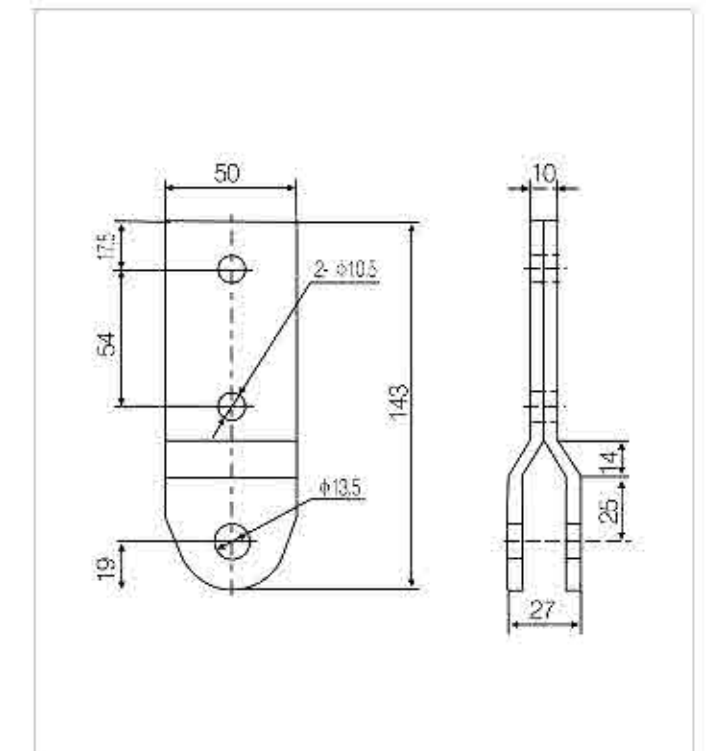


链号 Chain Number	链件参数 Chain Shaft Dimensions									
	A	B	C	D	E	F	G	H	I	J
X458 reverse trolley	160	120	64	82	100	10	95	54	33	54

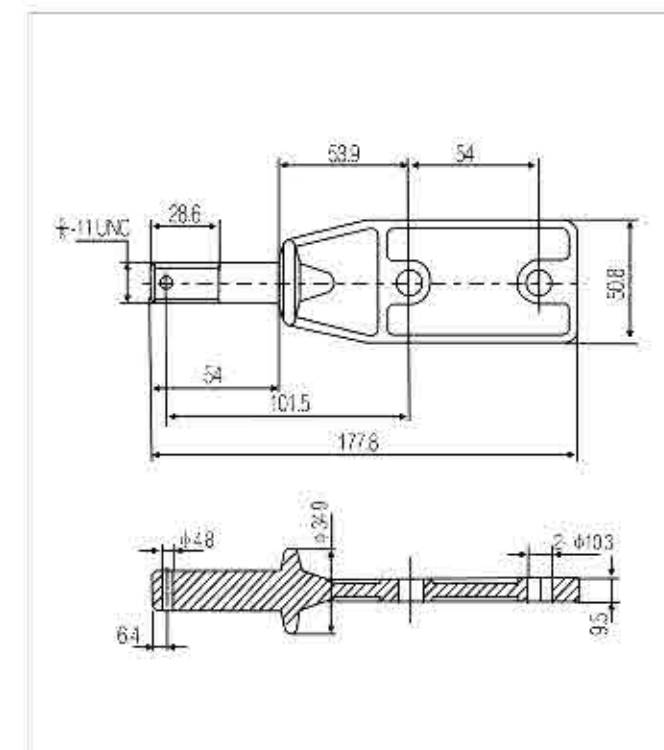
Attachments of X458



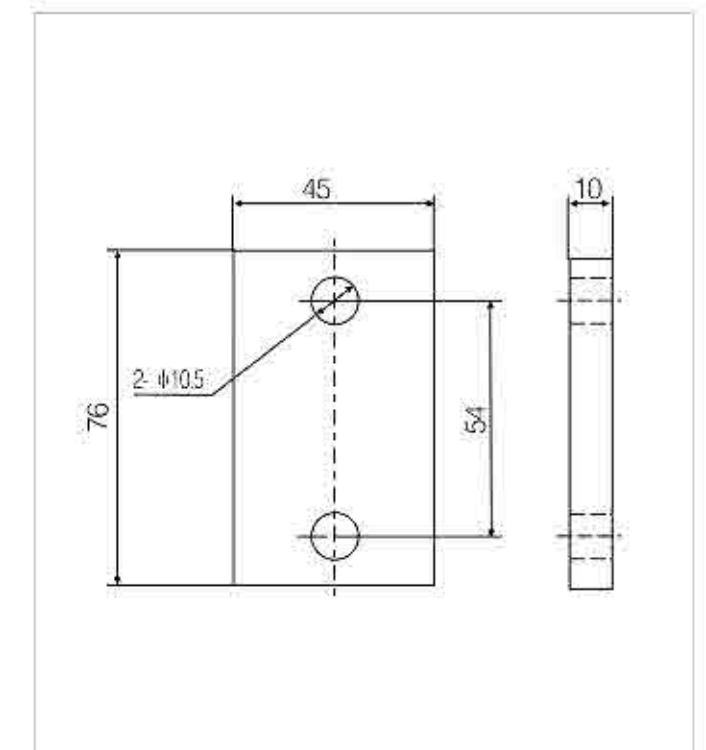
X458 "C" type



X458 "H" type

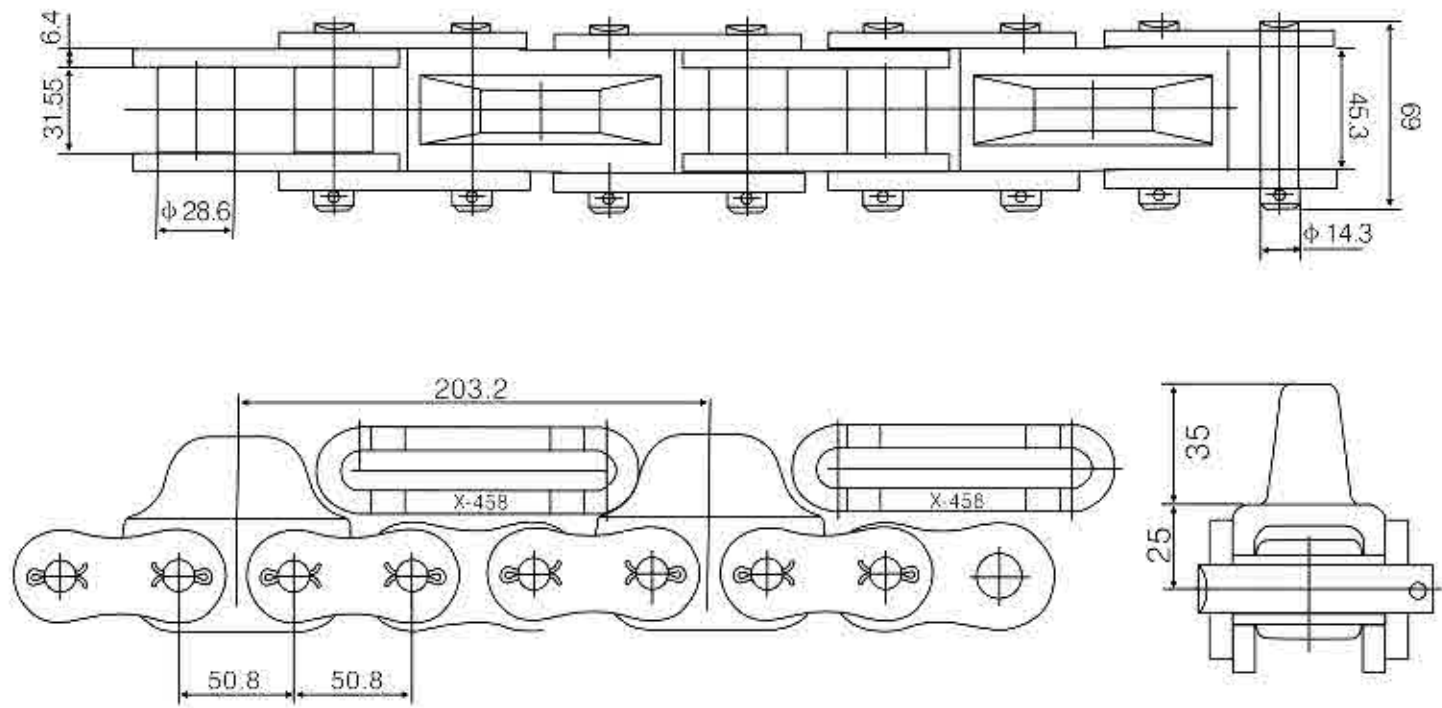


X458 "B" type



X458 "I" type

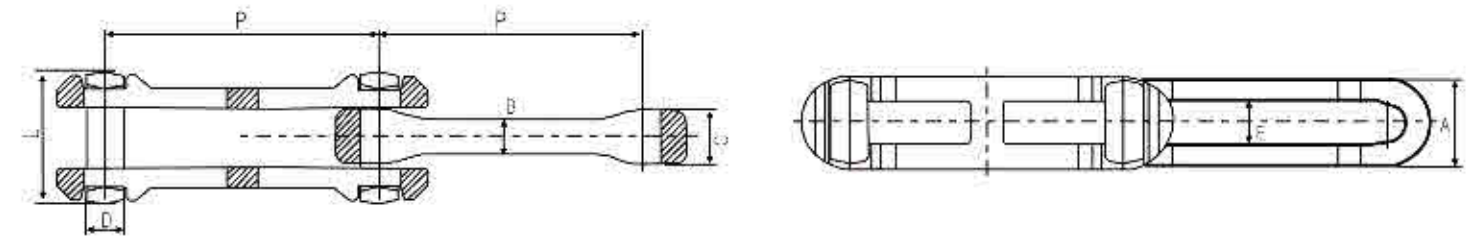
X458 driving chain



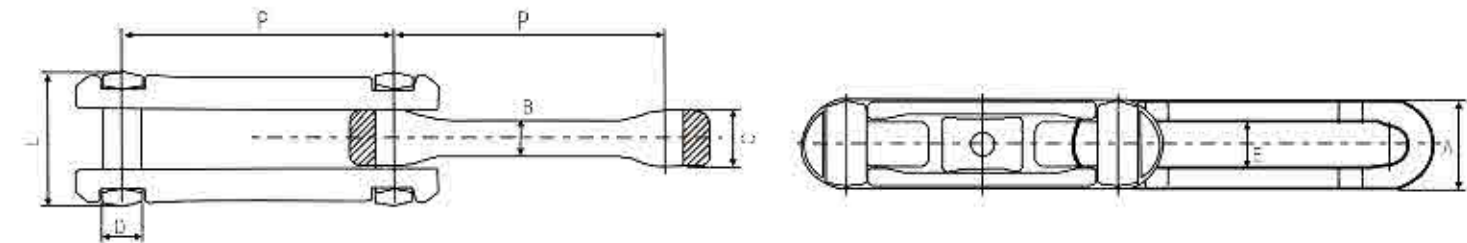
678 series



678

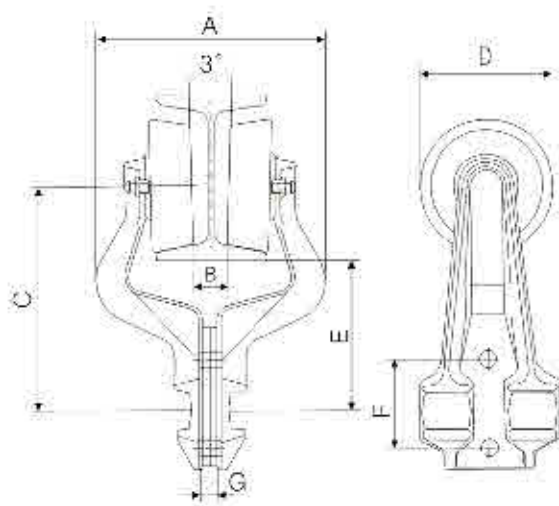


X678



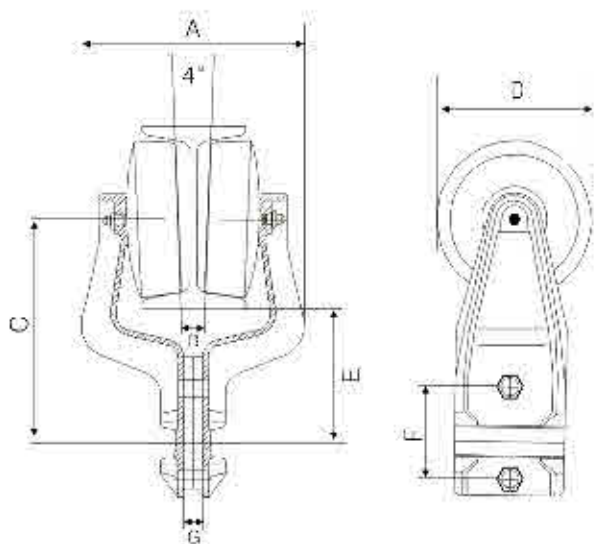
链号 Chain Number	节距 Pitch P	销轴直径 Pin dia. D	销轴长度 Pin Length. L	锻件参数 Chain Shaft Dimensions				抗拉强度 Ultimate tensile strength
				A	B	C	E	Q
	mm	mm	mm	mm	mm	mm	mm	KN
X678	153.2	22	77	50.8	21	32	25	380
678	153.2	22	77	50.8	21	32	25	380

4x6" 6x6" trolley



链号
Chain Number

链号 Chain Number	A mm	B mm	C mm	D mm	E mm	F mm	G mm
4x4"	142	18	136	82	90	54	12



链号
Chain Number

链号 Chain Number	A mm	B mm	C mm	D mm	E mm	F mm	G mm
6x6"	174	28	170	120	102	70	12

678 driving chain

