



# AMEC GROUP

Since 1983

CHANGZHOU MACHINERY & EQUIPMENT IMP. & EXP. CO., LTD.  
Add: No. 62 Xinggang Road, changzhou, Jiangsu, 213023, China.  
Tel.: +86-519-83978002/83978022 E-mail: sales@amecco.com  
Fax: +86-519-83978999/86600406 Http://www.amecco.com



## CHANGZHOU AMECCO GROUP





## Company Profile

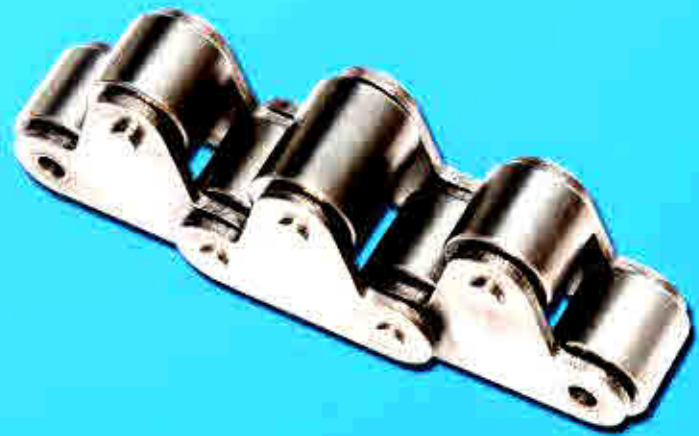
CHANGZHOU AMEC GROUP CO.,LTD (AMEC) is a group company who focuses on group members' assets management, production coordination, market network, strategic investment, etc. AMEC owns seven independent incorporated entity enterprises, most of which are manufacturers. AMEC designs, develops, manufactures and markets a variety of high quality, cost effective engines, portable generators, tractors, mechanical power transmission parts, electric motors, OEM items and auto fittings, etc.



Head Office

## Factory





# 目录 Contents

## 糖机链 Sugar Chains

直板型糖机链 Sugar Mill Chains with Straight Plate	1
弯板型糖机链 Sugar Mill Chains with Bent Plate	2
其它型糖机链 Other Type Sugar Mill Chains	3
糖机链附件 Attachments of Sugar Mill Chains	4

## 棕榈油链 Palm Oil Chains

直板型棕榈油链 Palm Oil Chains with Straight Plate	6
弯板型棕榈油链 Palm Oil Chains with Bent Plate	7

## 钢制输送链 Steel Conveyor Chains

M系列输送链 Conveyor Chains(M Series)	8
M系列带附件输送链 Conveyor Chains with Attachment(M Series)	9
MT系列输送链 Conveyor Chains(MT Series)	11
MC系列空心销轴链 Hollow Pin Conveyor Chains(MC Series)	12
FV系列输送链 Conveyor Chains (FV Series)	13
FV系列带附件输送链 Conveyor Chains with Attachments (FV Series)	14
FVT系列输送链 Conveyor Chains (FVT Series)	16
FVC系列空心销轴输送链 Hollow Pin Conveyor Chains(FVC Series)	17
Z系列输送链 Conveyor Chains (Z Series)	18
Z系列带附件输送链 Conveyor Chains with Attachments (Z Series)	19
ZE系列输送链 Conveyor Chains (ZE Series)	20
ZC系列输送链 Hollow Pin Conveyor Chains (ZC Series)	21

## 工程链 Engineering Chains

重载传动用弯板链 Heavy-Duty Cranked-Link Chains	22
空心销轴链 Hollow Pin Conveyor Chains	23
开沟机链 Trencher Chains	24
手套链 Conveyor Chains for Glove Industry	25
块状链 Block Chains	25

## **冶金、钢铁行业用输送链 Conveyor Chains for Metallurgy and Steel Industry**

板式销轴链 Leaf Pin Chains	26
钢板输送链 Conveyor Chains of Steel Sheet	28
钢锭提升链 Lift Chains for Steel Ingot	28
冷床链 Cold Bed Chains	29
链式轧辊输送链 Chains-style Roll Conveyor Chains	33
晾干链 Air drying chains	34
喷漆链 Painted chains	35
冶炼轧制驮载链 Loading Chains for Metallurgical	36
大节距重型驮载链 Large-Pitch Heavy Duty loading Chains	38

## **水泥行业输送链 Conveyor Chains for Cement Mill Industry**

弯附板式提升机链 Attachment Sidebar Elevator Chains	39
斗式提升机链 Bucket Elevator Chains	40
FU型运机链 FU Style Chains	44

## **汽车行业用链条 Conveyor Chains for Automobile Manufacture**

汽车喷涂线输送链 Conveyor Chains for Automobile Spray Painting Line	45
汽车制造驮载链(滑撬链) Loading Chains for Automobile Manufacture (Skid Chains)	45
汽车淋水线链条(不锈钢) Conveyor Chains for Automobile Showering Line (Stainless Steel)	46

## **焊接弯板链 Welded Steel Chains**

窄系列焊接弯板链 Narrow Series Welded Steel Chains	48
窄系列焊接弯板链附件 Narrow Series Welded Steel Chains-Attachments	51
宽系列焊接弯板链 Wide Series Welded Steel Chains	56
宽系列焊接弯板链附件 Wide Series Welded Steel Chains-Attachments	58

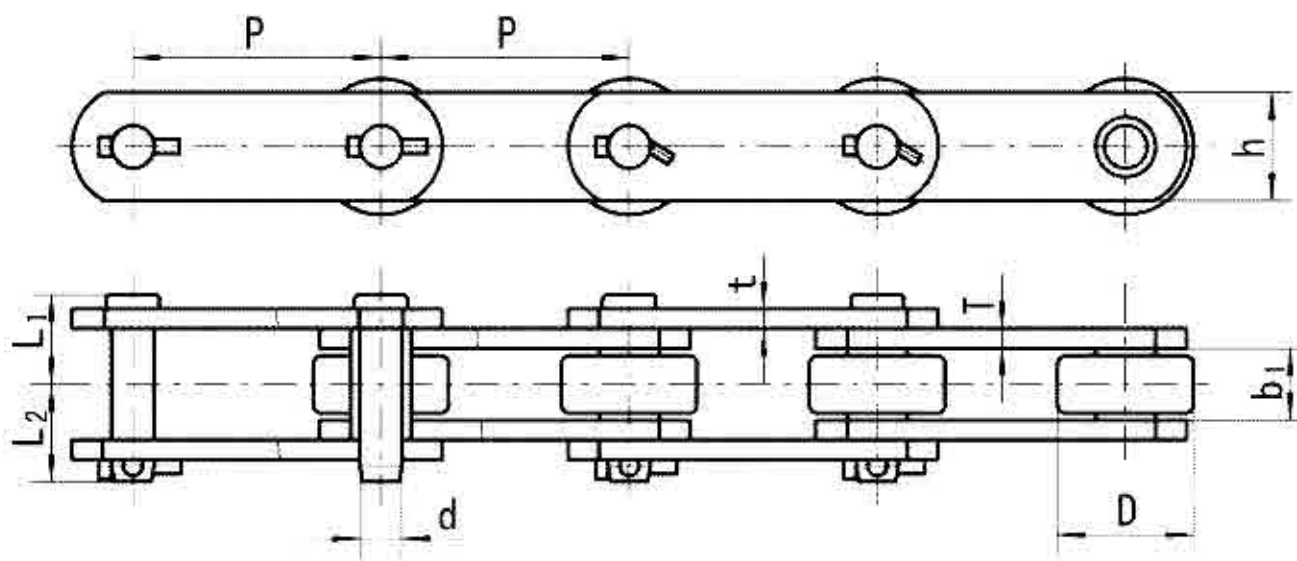
## **输送用平顶链 Flat-Top Chains for Conveyor**

钢制直输平顶链 Steel Straight Run Flat-Top Chains	61
钢制曲输平顶链 Steel Sideflex Flat-Top Chains	62

## **链轮 Sprockets**

重载弯板滚子链链轮 Heavy-duty Cranked-Link Chains Sprocket	63
链轮产品 Sprockets Products	64

## 直板型糖机链 Sugar Mill Chains with Straight Plate

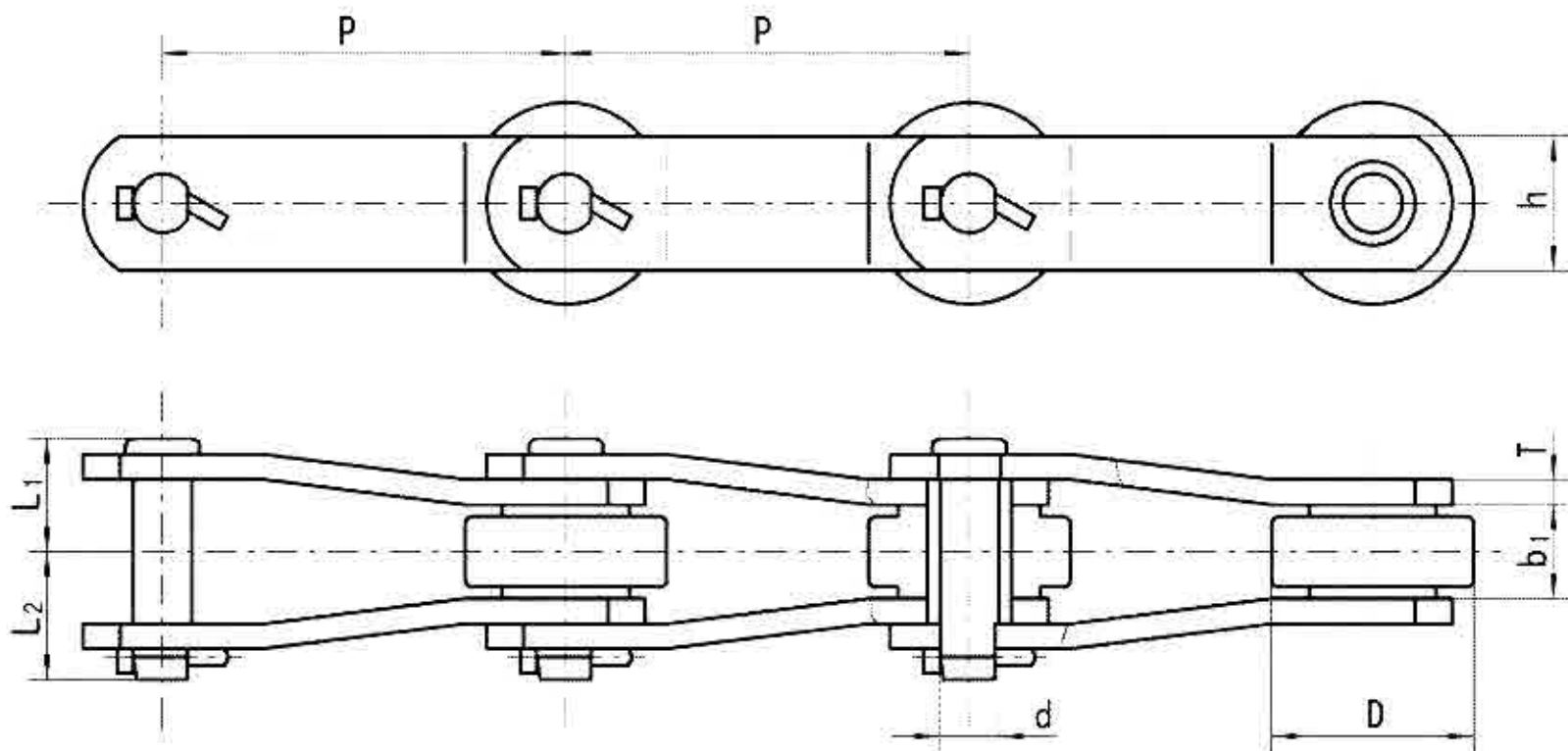


链号 Chain No.	节距 Pitch P mm	内节内宽 Width between Inner plates b1(min) mm	滚子(套筒) 外径 Roller(Bush) diameter D(max) mm	销轴 Pin			链板 Plate		最小抗 拉强度 Ultimate tensile strength Q(min) kN	许用工 作载荷 Rated working load kN	每米 净重 Weight per meter q kg/m
				d mm	L1 mm	L2 mm	h mm	t/T mm			
US101.6	101.6	31.8	57.15	15.88	34.4	38.4	38.1	6.4	72.3	8.2	11.67
P101.6-R47	101.6	30	47	15.88	41	45	41	10	242	19.4	17.98
US127	127	38.4	69.85	19	45.1	51.4	50.8	9.6	180	20.3	19.22
*P152.4-R66.7	152.4	30	66.7	26.92	35.5	41.5	50.8	8	167	13.4	16.11
C9060	152.4	37.7	69.85	18.9	45	49.3	50.8	9.5	250	28.2	17.2
C09063	152.4	38	76.2	23.83	47.1	54.9	61.9	10.3	635	36.1	22.27
*1796	152.4	37.8	69.85 76.2 73	22.23	43.9	53.2	57.2	9.5	444.5	33.3	18.5 19.5 19.2
*C09061	152.4	37.7	69.85	18.9	44.9	50.3	57.2	9.5	377.9	28.2	18.74

链条销轴与套筒有碳钢和不锈钢两种材质。

\* Chains: there are two kinds of materials for pin and bush, which are Carbon steel and stainless steel.

## 弯板型糖机链 Sugar Mill Chains with Bent Plate



链号 Chain No.	节距 Pitch P mm	窄端内宽 Inside diameter b1 (min) mm	滚子(套筒) 外径 Roller(Bush) diameter D(max) mm	销轴 Pin			链板 Plate		最小抗拉强度 Ultimate tensile strength Q(min) kN	许用工作载荷 Rated working load kN	每米净重 Weight per meter q kg/m
				d mm	L1 mm	L2 mm	h mm	T mm			
* D2184	152.4	34.9	76.2	22.23	43.9	51.2	50.8	9.5	355.6	31.6	17.7
W1796	152.4	37.8	69.85	22.23	44.2	52.9	57.2	9.5	444.5	31.6	18.59
RO9063	152.4	38	76.2	23.83	47.1	54.9	60.3	10.3	622.3	36.1	21.83
SS1130	152.4	37.7	63.5	19.05	38.5	45.6	50.8	6.4	202	16	13.11
8184	203.2	45.9	88.9	25.4	59.7	65.8	69.9	12.7	742.4	47.6	29.2
SS800	203.2	46.1	88.9	25.4	59.7	69.3	75	12.7	686	55	30.65
22840	228.6	46	99	32	62.3	73.1	86	15	884	71	39.43

\*链条销轴与套筒有碳钢和不锈钢两种材质。

\* Chains: there are two kinds of materials for pin and bush , which are Carbon steel and stainless steel.

